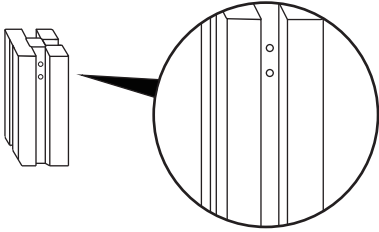
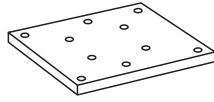


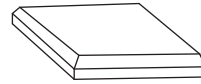
① x2



② x2

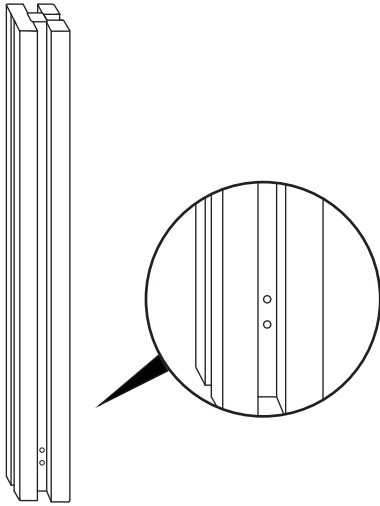


③ x2

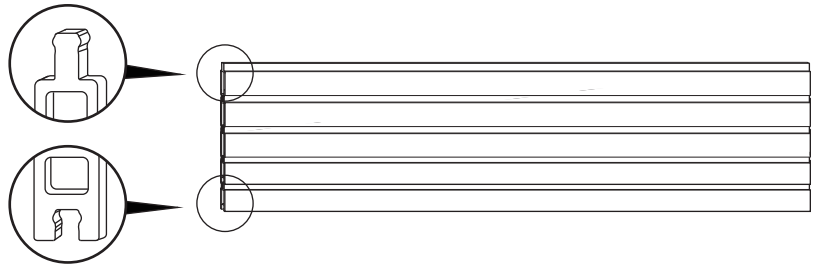


workmann

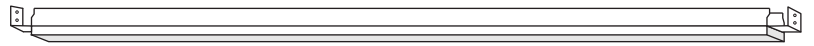
⑫ x2



④ x9



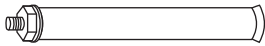
⑤ x1



⑥ x1



Ax8



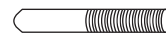
M8x  $\frac{90}{35}$

Bx8

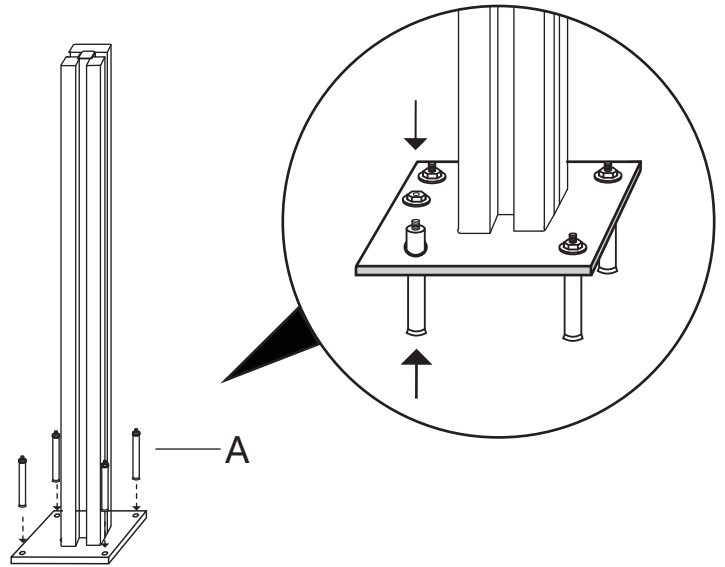
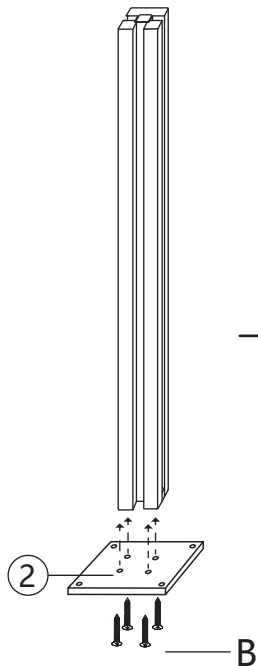
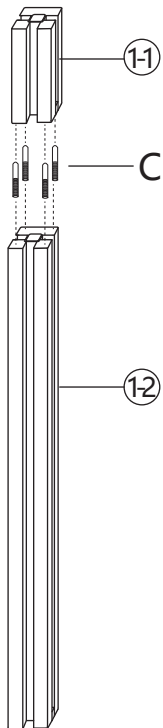


M8x  $\frac{45}{1.75}$

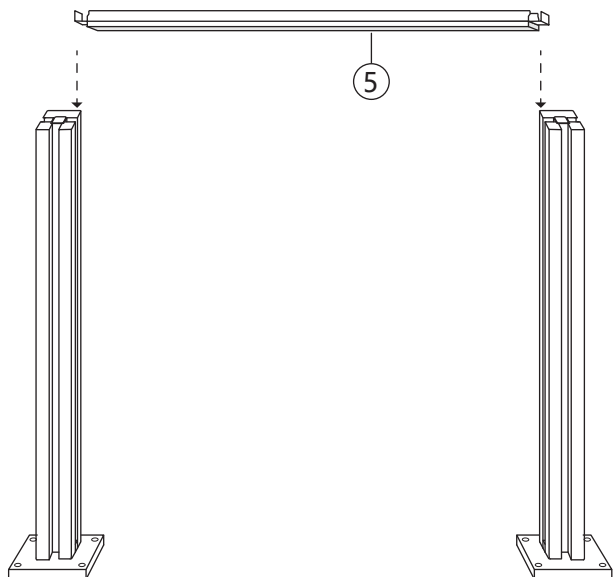
Cx8



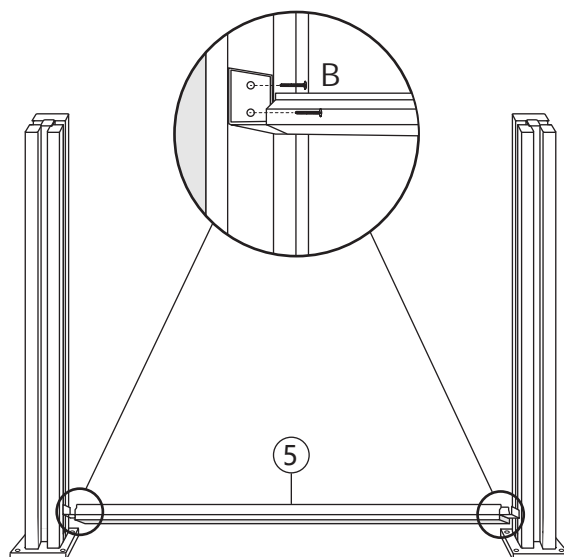
1



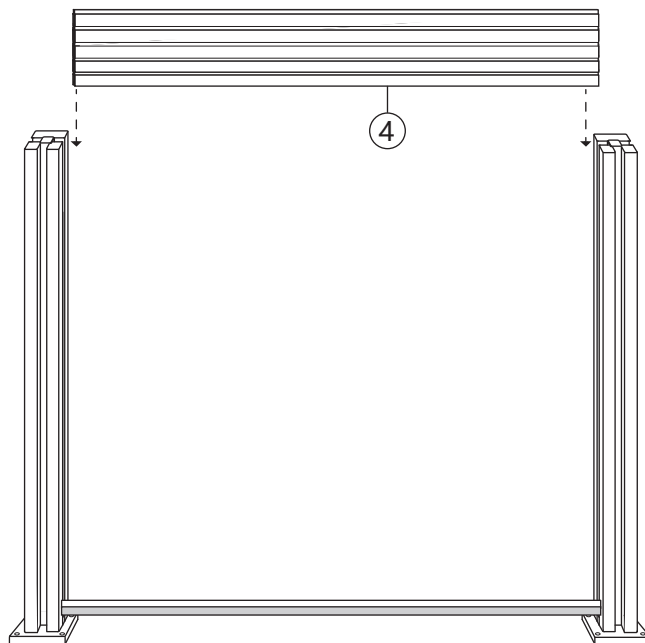
2



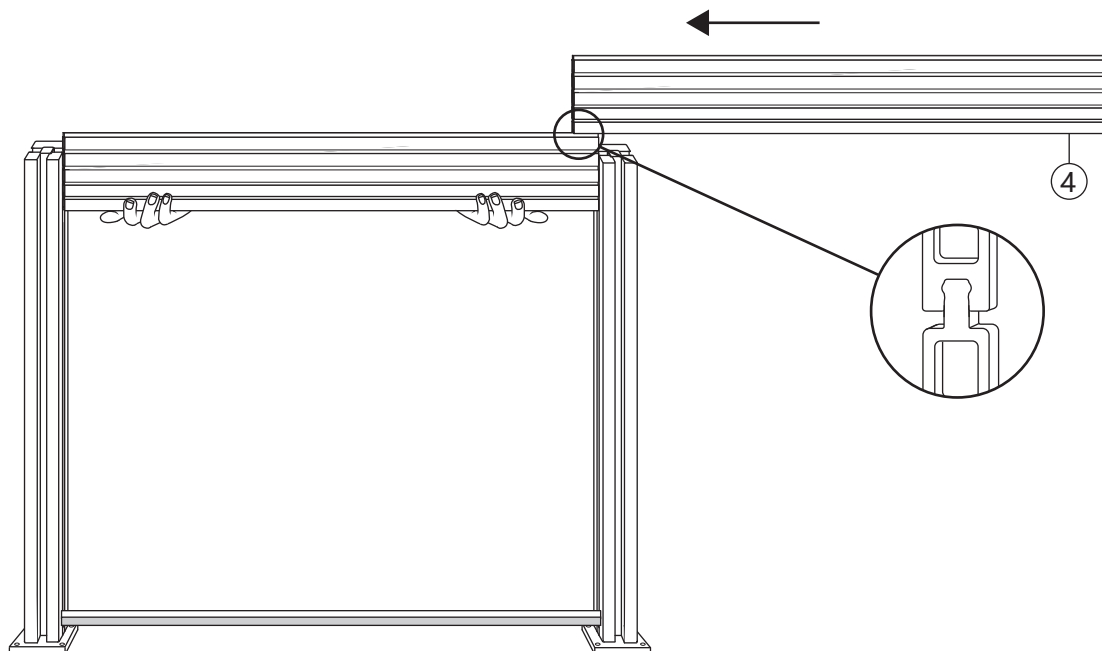
3



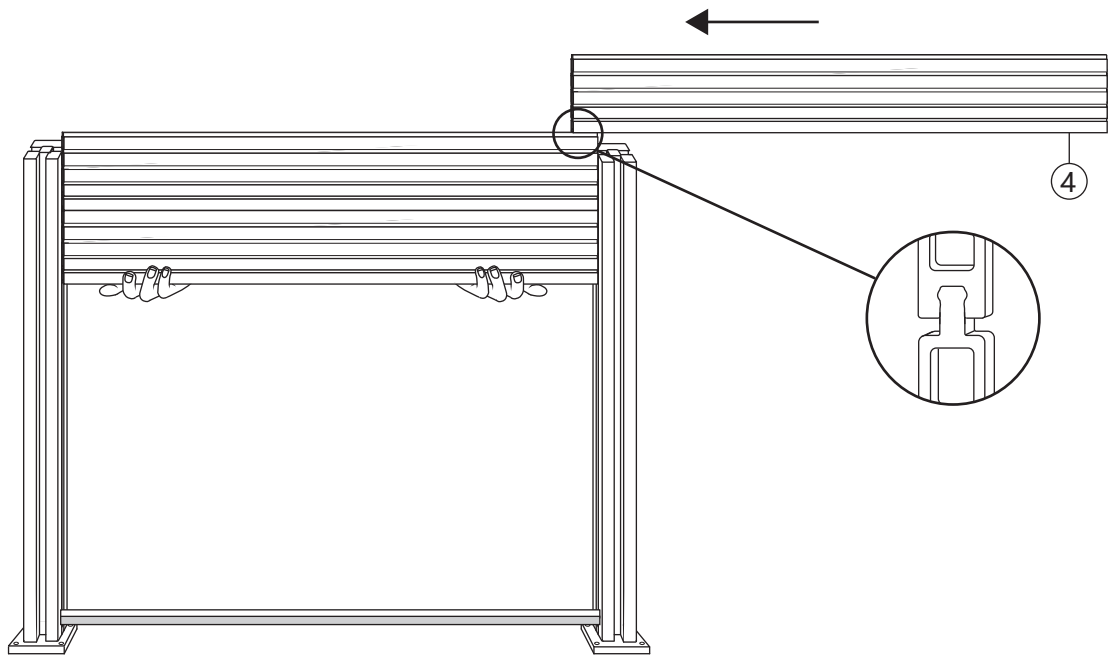
4



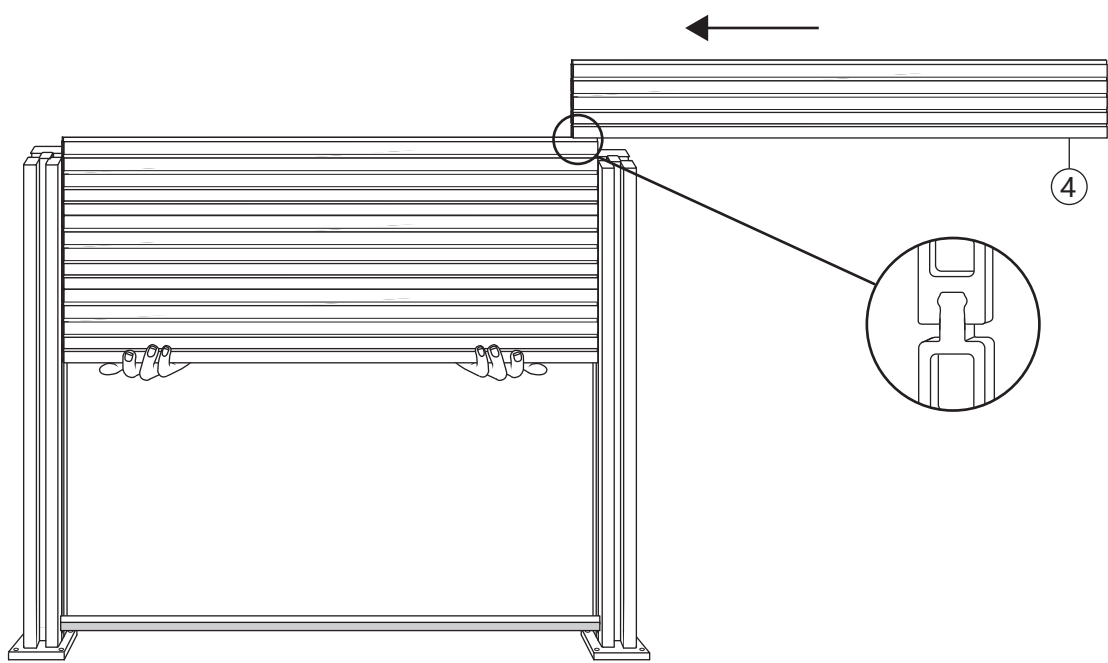
5



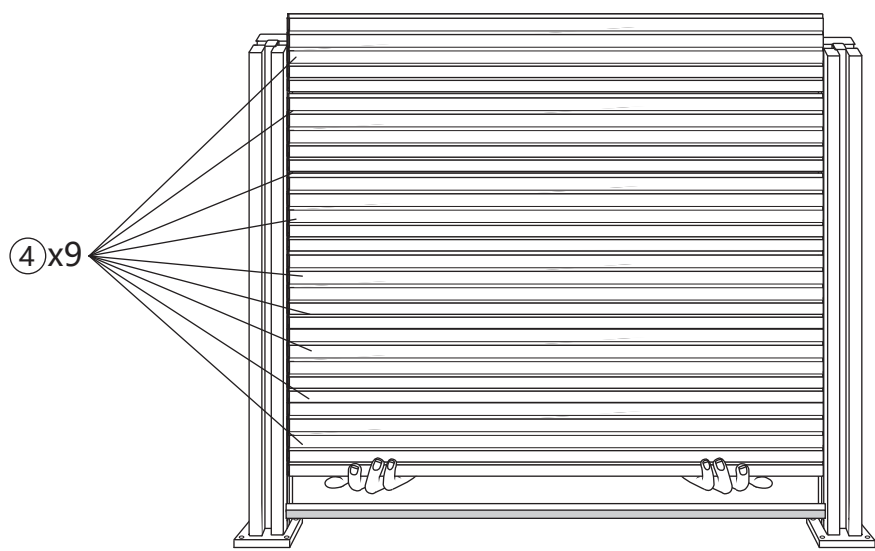
6



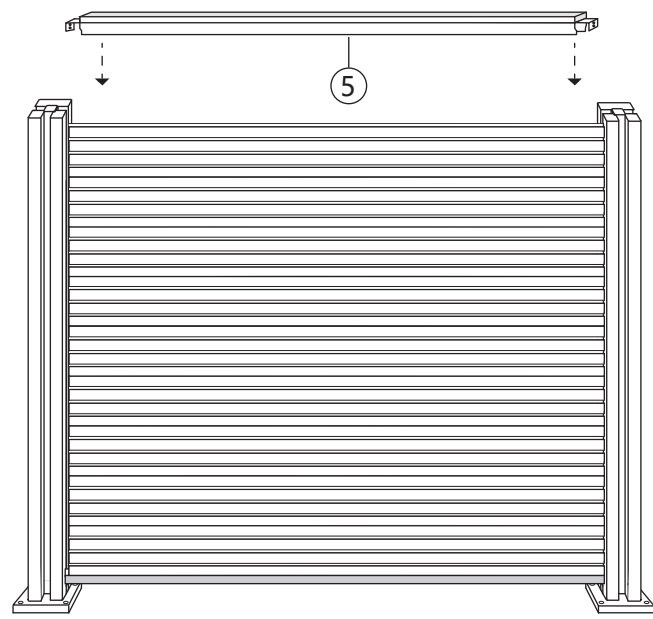
7



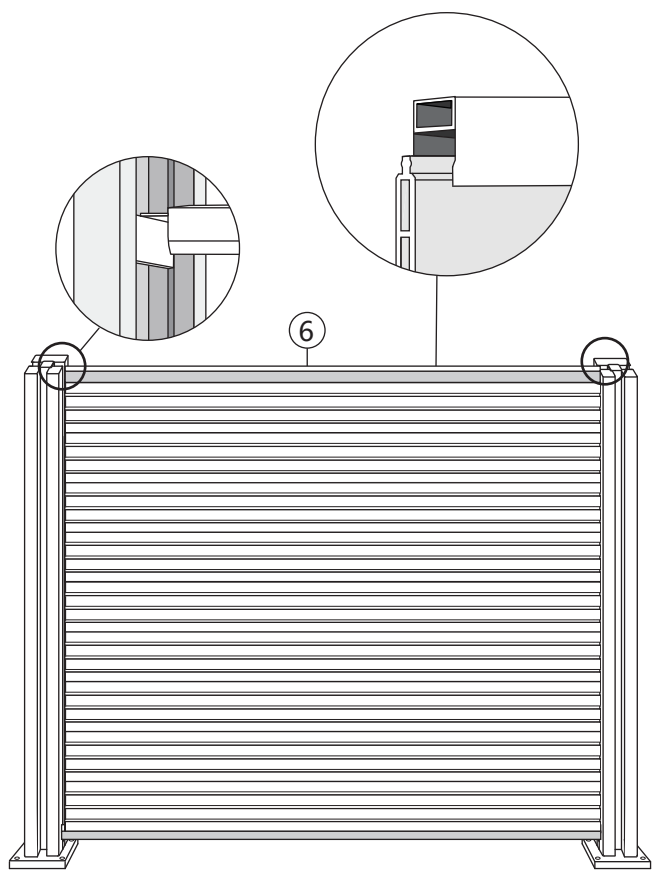
8



9



10



11

