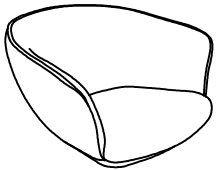
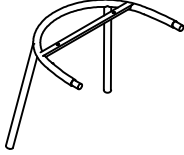


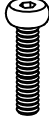



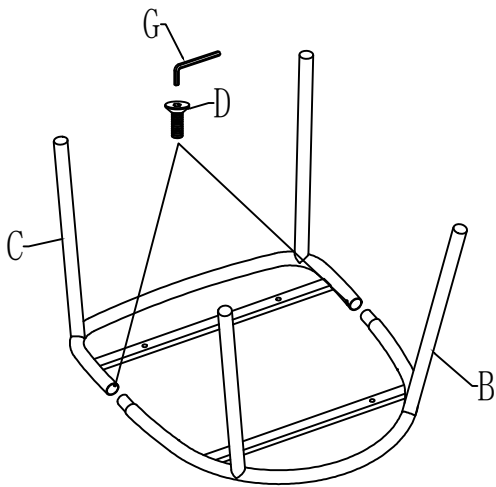


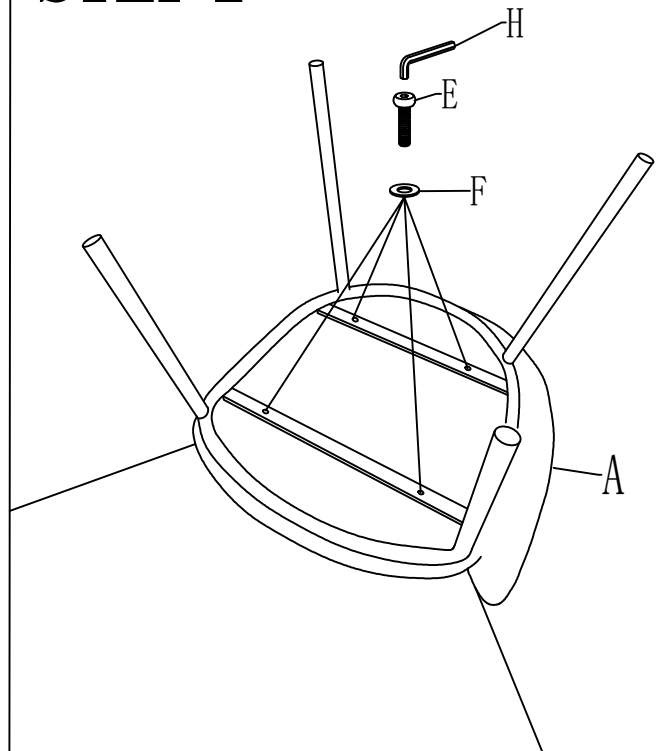
ASSEMBLY INSTRUCTION

Ax1 	Bx1 	Cx1 	Dx2 	Ex4 	Fx4 	Gx1 	Hx1 
---	--	--	--	---	--	--	--

STEP 1



STEP 2



STEP 3

