

OPERATING AND ASSEMBLY INSTRUCTIONS FOR GAS BBQ GRILL



Read the instructions carefully and ensure that your grill is properly installed, assembled, maintained and serviced in accordance with these instructions. Failure to follow these instructions may result in serious bodily injury and/or property damage. If you have any questions concerning the assembly or operation of this barbecue, consult your dealer, gas supplier, the manufacturer or his agent.

Models:



G232 /G282-50CS



G232/G283-50CS



G232/G284-50CS

WARNING:

- HAZARDOUS FIRE OR EXPLOSION MAY RESULT IF INSTRUCTIONS ARE IGNORED
- USE OUTDOORS ONLY.
- READ THE INSTRUCTIONS CAREFULLY BEFORE ASSEMBLY.
- RETAIN THIS MANUAL FOR FUTURE REFERENCE
- ACCESSIBLE PARTS MAY BE VERY HOT. KEEP YOUNG CHILDREN AWAY.
- ANY MODIFICATION TO THIS APPLIANCE MAY BE DANGEROUS AND IS ABSOLUTELY NOT PERMITTED.

PRECAUTIONS:

- Leak test all connections after each tank refill
- Never check for leaks with a match or open flame
- Do not store or use gasoline or other flammable vapors and liquids in the vicinity of this or any other appliance.
- Any LP cylinder not connected for use should not be stored in the vicinity of this or any other appliance.

FOR YOUR SAFETY:**IF YOU SMELL GAS:**

- Turn off gas supply at bottle.
- Extinguish all naked flames, do not operate any electrical appliances
- Ventilate the area
- Check for leaks as detailed in this manual.
- If odour persists, contact your dealer or gas supplier immediately

ATTENTION:

Some parts of this appliance may become very hot, take special care when children or elderly people are present.

1. TECHNICAL DATA

Item Name	Mobile Gas BBQ Grill		
PIN	845CL-0008		
Item No.	G232, G233, G234, G282, G283, G284 Series		
Heat input	Grill burner :3.1kw (223g/h) /each (butane-28-30 mbar, propane-37 mbar), 2.7kw (194g/h) /each (propane-30 mbar) Side burner : 3.1kw (223g/h) /each (butane-28-30 mbar, propane-37 mbar), 2.7kw (194g/h) /each (propane-30 mbar)		
Injector size	I3B/P(30) /I3+(28-37)/I3P(37) : 0.85 mm (Marked : 0.85) I3B/P(50) : 0.75 mm (Marked : 0.75)		
Country of destination	category	pressure	
CZ, DK, EE, FI, IS, NL, NO, SE, LT, LV, SI, SK, CY, MT, BG, HU, TR, RO :	I3B/P	30mbar	
BE, ES, FR, GB, GR, IE, LU, IT, PT, CH :	I3+	28-37mbar	
PL :	I3P	37mbar	
AT, DE:	I3B/P	50mbar	

2. WARNING AND SAFETY POINTS

1. Please follow all assembly instruction in this manual; Failure to follow these instructions may result in serious bodily injury and/or property damage. The user will take full the responsibility .
2. This barbecue will become very hot when in use; care is to be taken especially when pets, children or elderly people are present.
3. In the event of a gas leak shut off the gas to the barbecue, extinguish any open flames, open lid and if leak continues check for damages, poor connection etc. Contact your local gas dealer immediately if the problem cannot be solved.
4. This gas BBQ is designed for outdoor use only
5. **Do not** attempt to move Barbecue whilst it is in operation.
6. **Do not** use or store any flammable liquids or vapors in the vicinity when operating the barbecue.
7. **Do not** use a naked flame to check for gas leaks.
8. **Do not** operate barbecue if there is gas leak.
9. **Do not** attempt to disconnect any gas fitting if your barbecue is being used, including the Gas Hose and Regulator.
10. Care is advised when operating your barbecue, you should never leave it unattended when in use.
11. The barbecue should be cleaned on a regular basis. Take care not to enlarge burner ports of orifice openings when cleaning the burner or valves.
12. **Do not** attempt to use this appliance in a garage or any enclosed area. Also ensure to keep clear of any combustible materials, etc. We recommend to keep a distance of at least 0.5 to 1.0 meter clear of any combustible materials.
13. We would recommend that this barbecue be serviced by your local gas retail outlet at least once a year or by a competent engineer. Do not attempt to service this appliance yourself.
14. **Do not** attempt any unauthorized interference of the main controls on this barbecue, i.e. gas taps, injectors, valve etc.
15. Any modification of the appliance may be dangerous and prohibited
16. The repair on the appliance must be carried out by a qualified person.
17. Only use the flame tamer plate in this barbecue, do no attempt to use charcoal.

3. SAFETY PRECAUTIONS

1. Always do the gas leak test before you use the grill . Test the leakage on all the connections where the gas passes by. Test the leakage as the following:
 - a) Connect the regulator and hose onto the gas tank and the grill, close all the valves by turning the control knobs to “OFF” position.
 - b) Put soapy water on all the connections where the gas reaches. Open the gas tank valve and the regulator. If bubbles are seen, tight the connection, if the

bubbles are still seen, close all valves, regulator goes to your nearest retailer for help. Never use the Grill with leakage.

- c) Clear all soapy water on the connections after testing by wet towel.

Warning: Never use flame to do the leak test, Flame is prohibited nearby when doing the leakage test.

2. This MUST be done when first connecting the Barbecue and every time the Gas Bottle is changed.
3. The gas bottle can be only changed by a competent person.
4. The Lid must always be open when lighting the burner.
5. Use oven gloves and sturdy long handled barbecue tools when cooking on the grill.
6. Be prepared if an accident or fire should occur. Know where your first aid kit and fire extinguishers are and how to use them correctly.
7. Keep any electrical supply cord and the fuel supply hose away from any heated surfaces.
8. Always cook with great care.

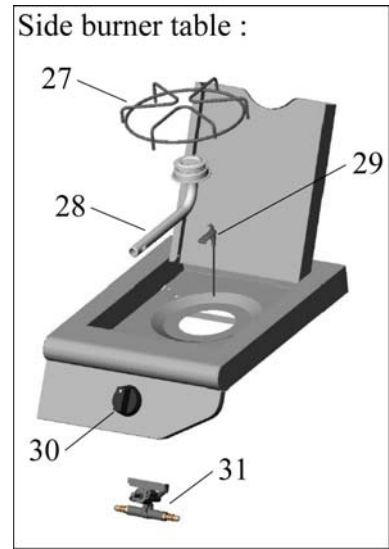
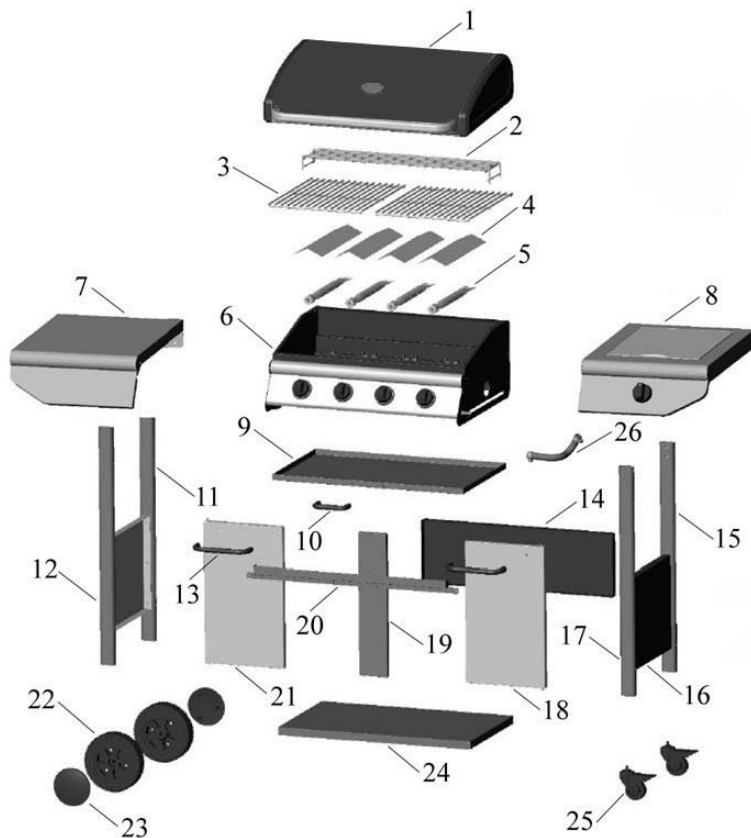
4. BARBECUE SAFETY HINTS

- * Stand your barbecue on a safe level surface, away from inflammable items such as wooden fences or overhanging trees.
Never use your barbecue indoors!
- * Once lit do not move your barbecue or leave it unattended.
- * Keep children and pets at a safe distance for the barbecue.
- * Keep a fire extinguisher handy.
- * Remember that hot fat may drip out at the bottom of the fire bowl.
- * Do not light you BBQ on a surface that may be damaged by the hot fat or heat generate by the BBQ
- * The barbecue will become hot when in use, so handle lid etc. with the help of mits/gloves.
- * Ensure that the appliance has completely cooled down before storing.

5. ASSEMBLY TIPS

Assemble all nuts and bolts loosely at first. Tighten all connections after completion of assembly. This eases your work and increases the stability of your appliance.

When starting the assembly, take all single parts out of the box and check if anything is missing according to the following list.











PARTS LIST-1

NO.	Parts Name	Qty		
		For 2 burner	For 3 burner	For 4 burner
1	Lid	1	1	1
2	Warming rack	1	1	1
3	Cooking Grill	2	2	2
4	Flame Tamer Plate	2	3	4
5	Main burner	2	3	4
6	Grill body	1	1	1
7	Left side table	1	1	1
8	Right side table	1	1	1
9	Oil tray	1	1	1
10	Tray Handle	1	1	1
11	Left Leg B	1	1	1
12	Left Leg A	1	1	1
13	Door Handle	1	2	2
14	Back panel	1	1	1

15	Right Leg A	1	1	1
16	Side shelf	2	2	2
17	Right Leg B	1	1	1
18	Right Door		1	1
19	Middle plate			1
20	Door stop bar	1	1	1
21	Left door	1	1	1
22	Wheel	2	2	2
23	Wheel cap	2	2	2
24	Bottom shelf	1	1	1
25	Caster	2	2	2
26	Gas hose	1	1	1
27	Side burner grid	1	1	1
28	Side burner	1	1	1
29	Side Burner Spark Electrode	1	1	1
30	Knob	1	1	1
31	Side burner Valve	1	1	1

PARTS LIST-2

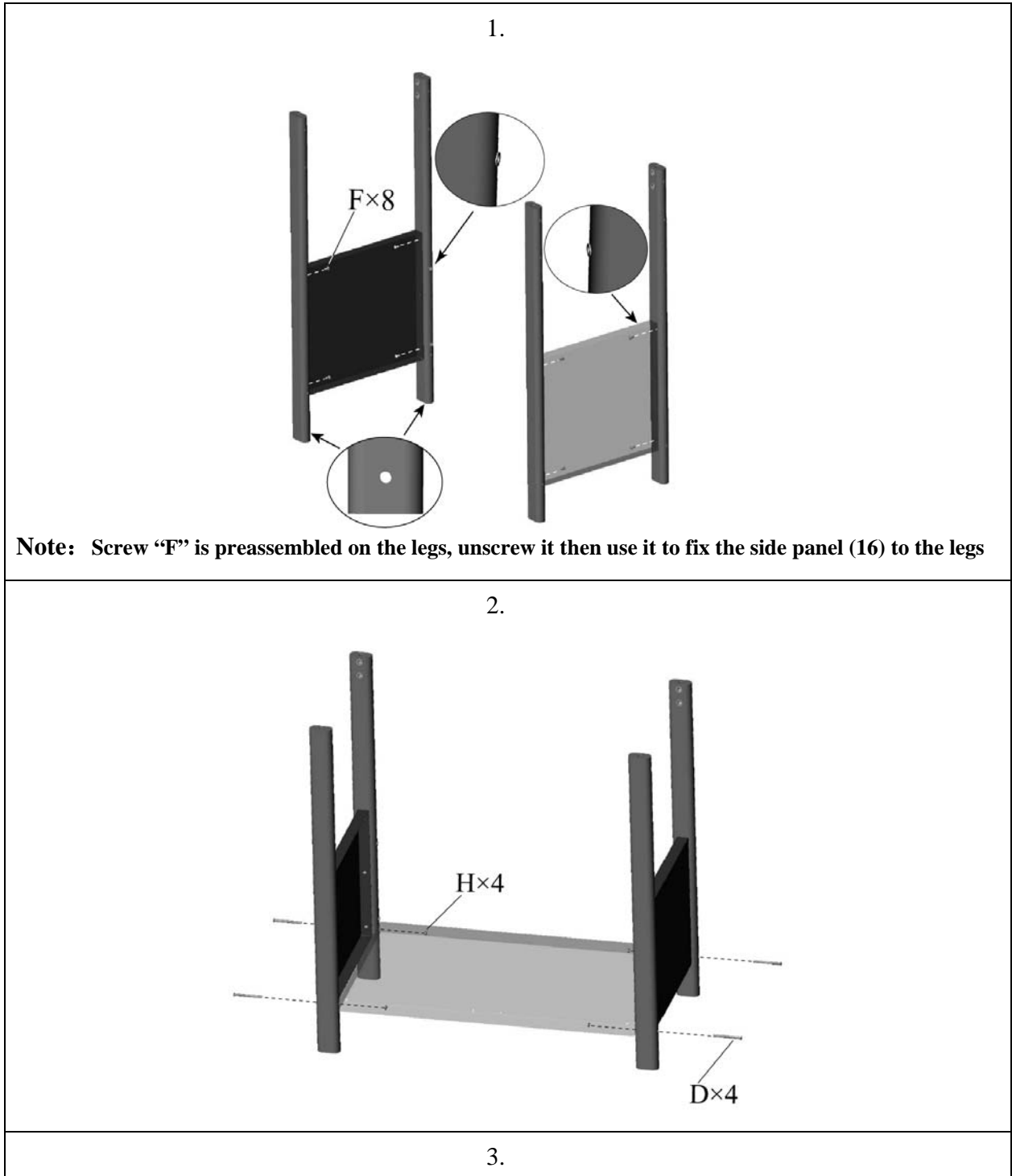
NO.	Parts Name	Qty		
		For 2 burner	For 3 burner	For 4 burner
A	Wheel pin 	2	2	2
B	Pin lock 	2	2	2
C	Washer 	2	2	2
D	M5×60 screw 	12	12	12
E	M5×10screw 	8	8	12
F	M4 screw 	8	8	8
G	M5×8 screw 	2	4	4
H	M5 nut 	4	4	8

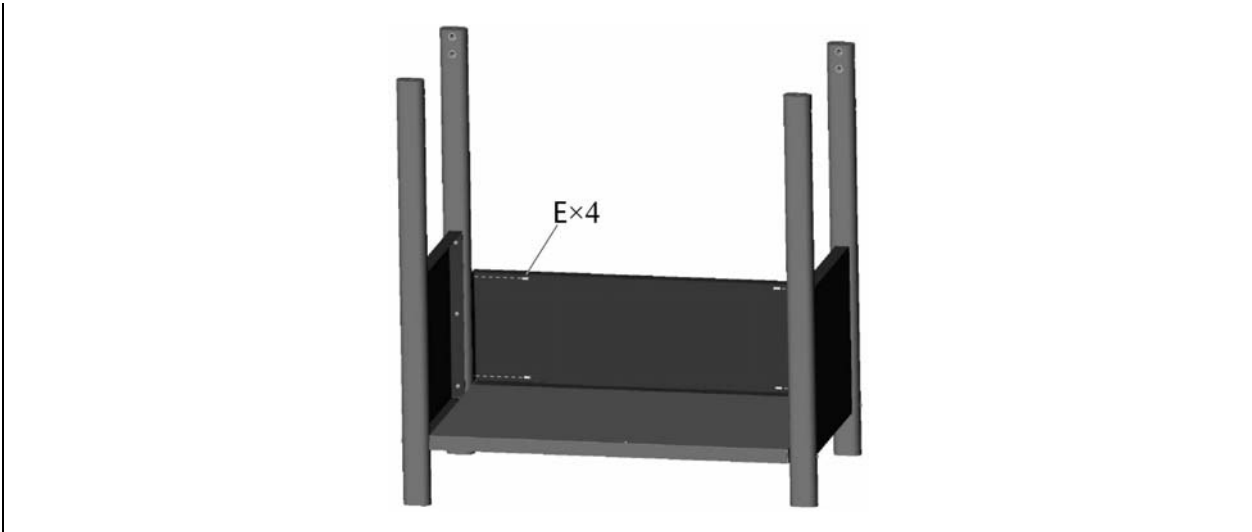
You will need a wrench, pliers, and a crosshead screwdriver for the assembly. Small deviations in equipment, especially concerning the bolt pack contents, may occur. This is not lack of quality but subject to technical improvement

6. ASSEMBLY INSTRUCTION

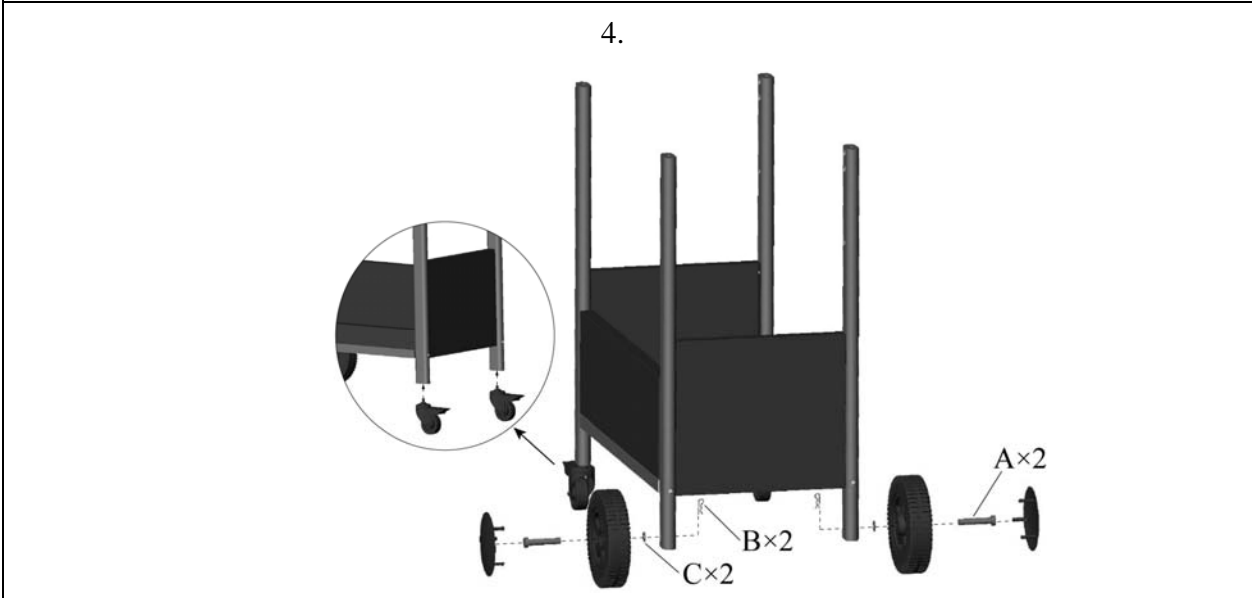
Before beginning assembly, have the necessary tools ready to assemble your barbecue

include: Screwdriver, Pliers and Adjustable Wrench.

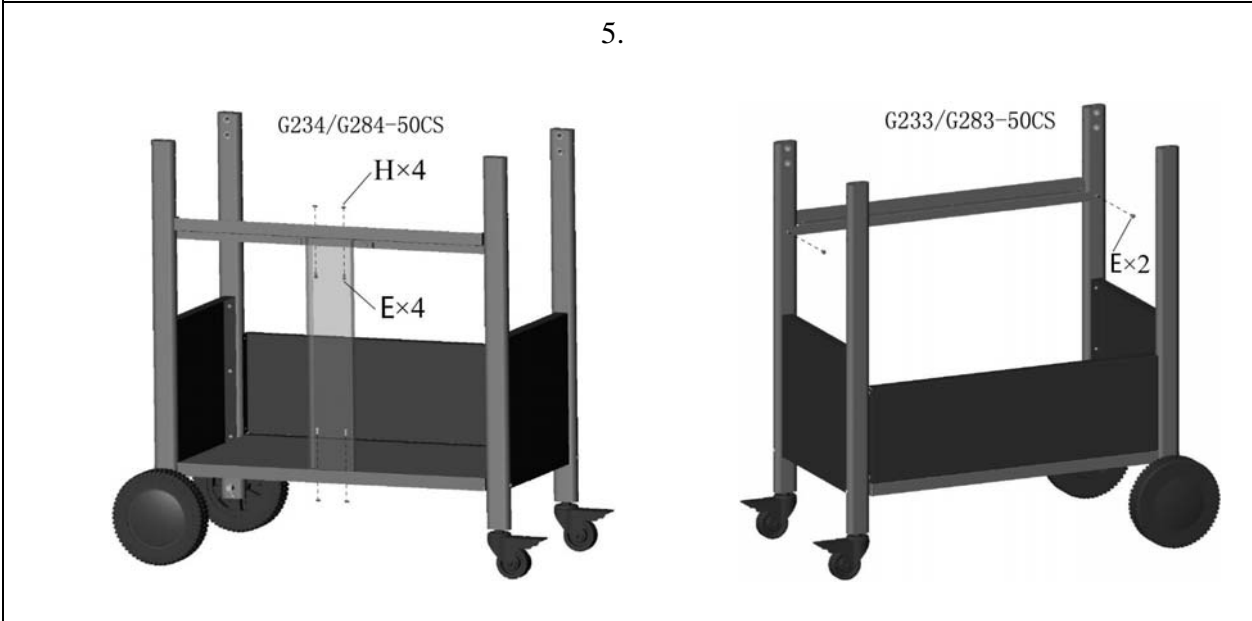




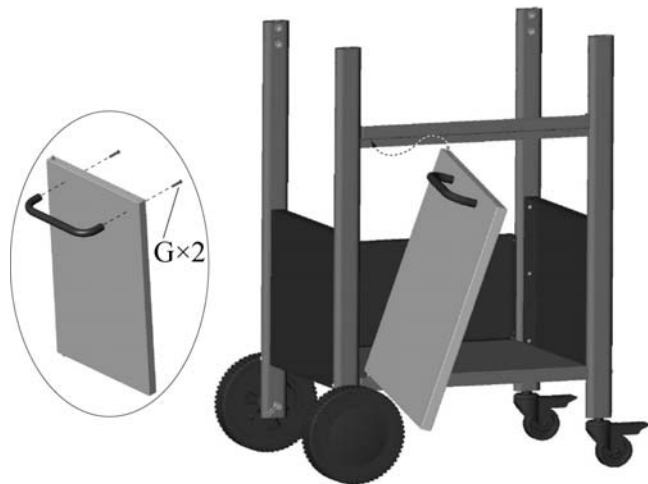
4.



5.

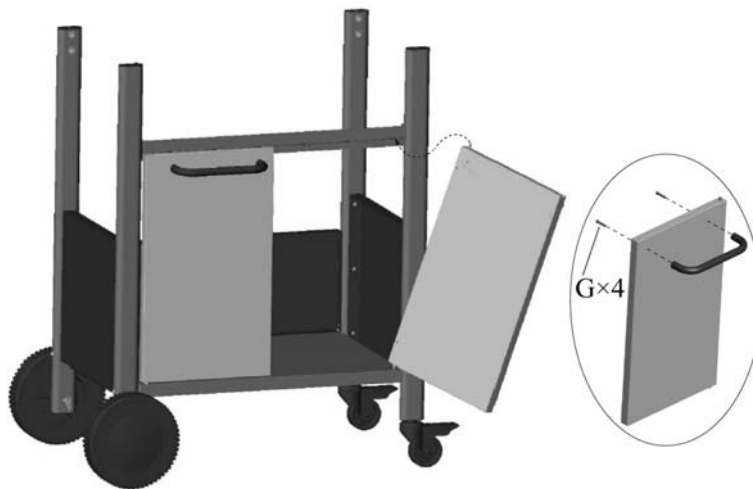


6. 1

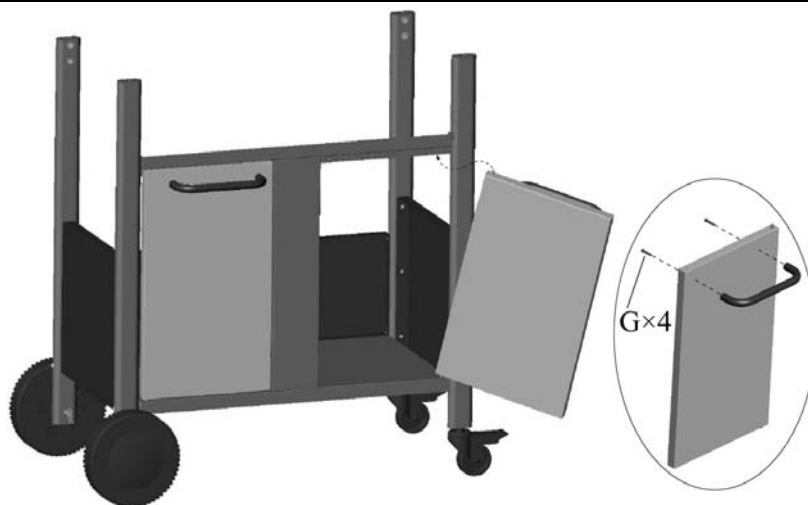


FOR G232/G282-50CS (2 burner)

6. 2

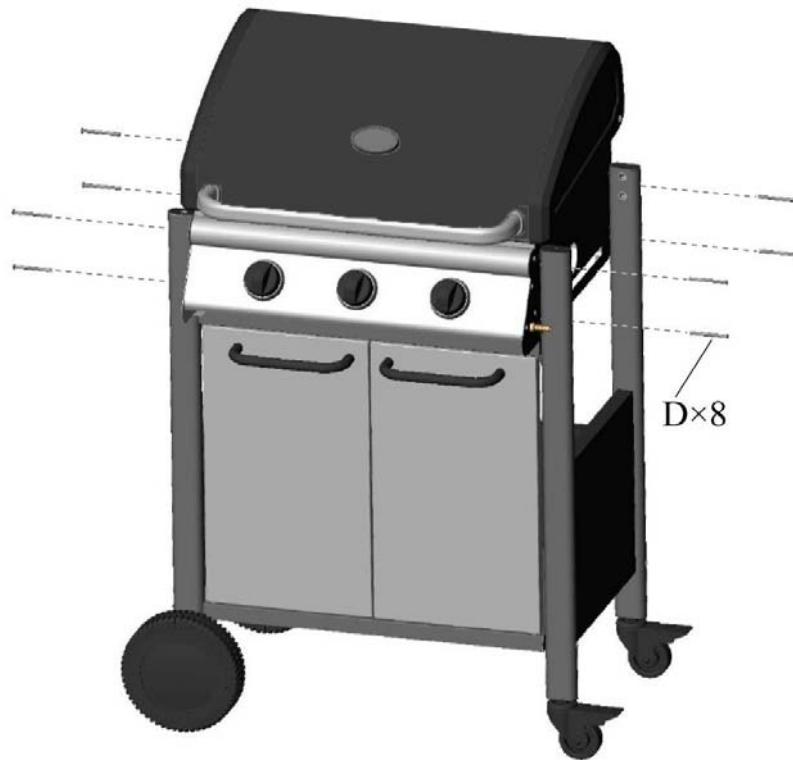


FOR G233/G283-50CS (3 burner)

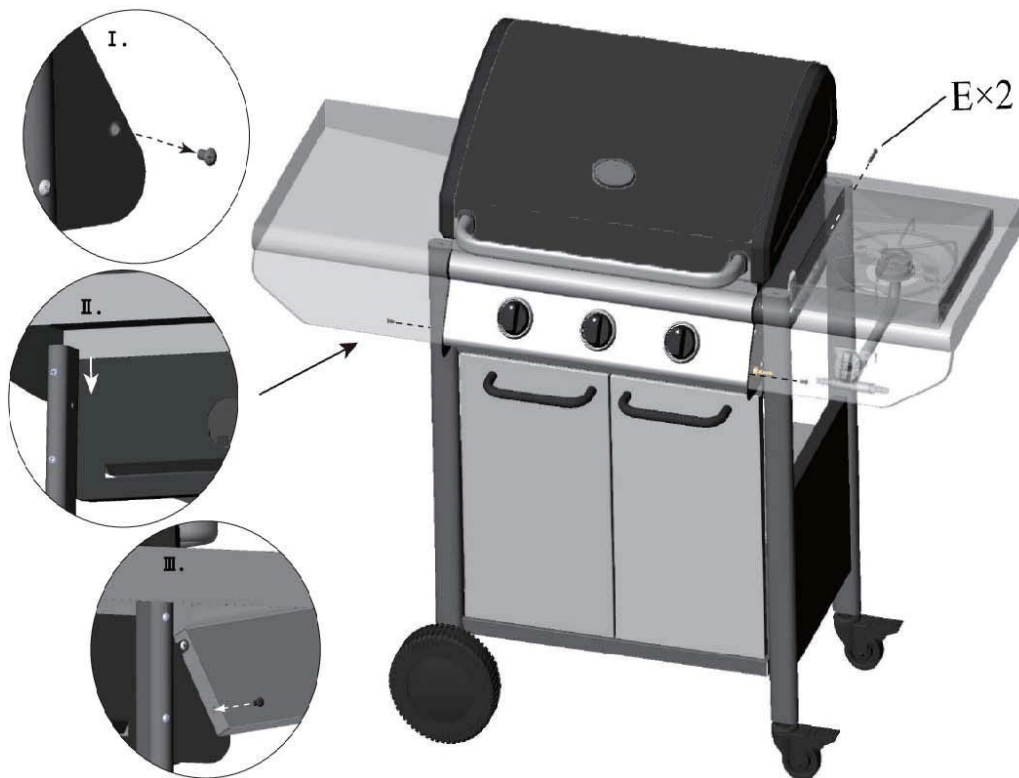


FOR G234/G284-50CS (4 burner)

7.



8.



9.



10.

